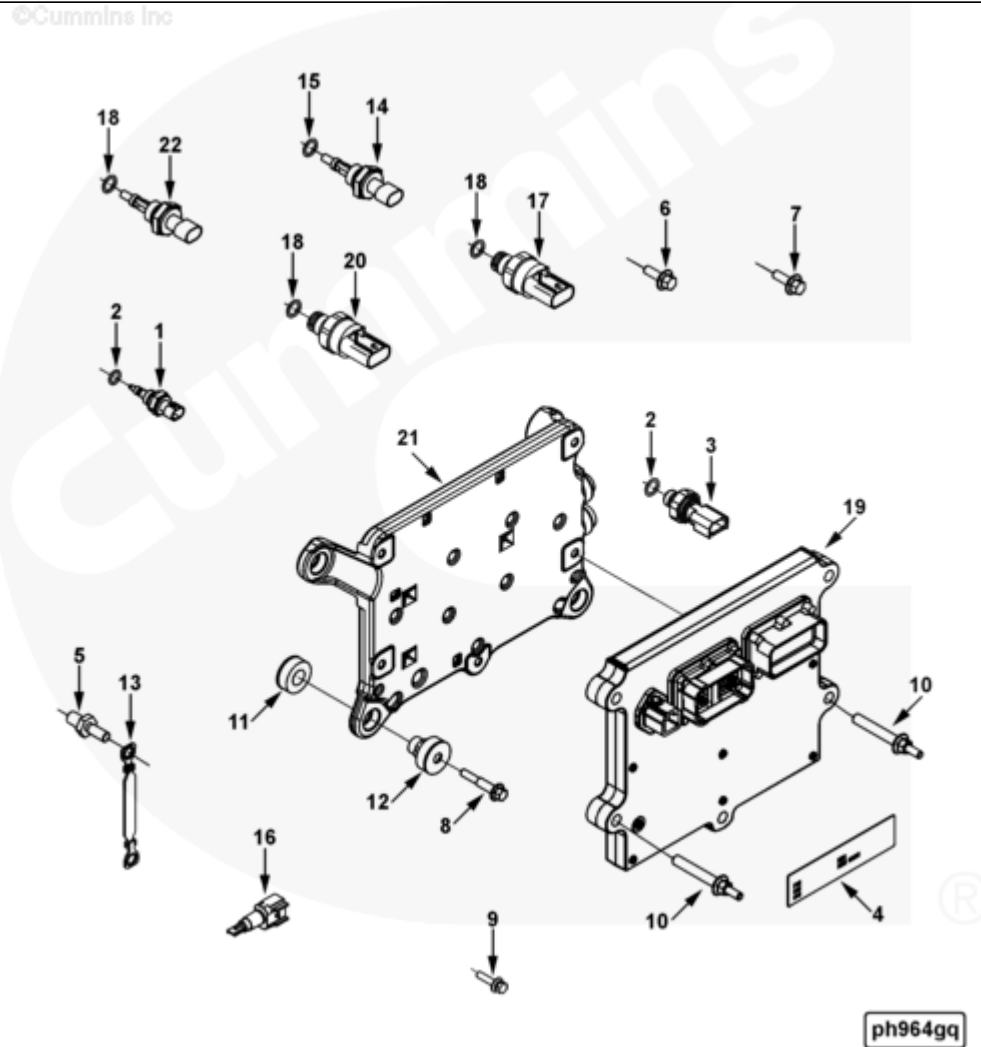




Parts Catalog - Option Detail

Electronic Parts Catalog - Option Detail				
Option	Group	Graphic	Film Card	Date
PH9275-02	05.06.1	ph964gq	Z	02-JUL-11
Engines	6C8.3, C GAS PLUS CM556, G8.3, G8.3 CM558, GTA8.3 CM558, ISC CM2150, ISC CM554, ISC CM850, ISC8.3 CM2250, ISC8.3 G CM2180 C101, ISL CM2150, ISL CM554, ISL CM850, ISL G CM2180, ISL8.9 CM2150 L110, ISL8.9 CM2880 L112, ISL9 CM2150 SN, ISL9 CM2250, ISL9 CM2350 L101, ISL9 CM2350 L111, ISLE4 CM850, L GAS PLUS CM556, L8.9, L8.9 L121, L8.9G CMOH2.0 L125B, L9 CM2350 L116B, L9 CM2350 L119B, L9 CM2350 L120C, L9 CM2350 L123B, L9.3 L105, L9.5 L117, L9N CM2380 L124B, QSC8.3 CM2250, QSC8.3 CM2880 C102, QSC8.3 CM554, QSC8.3 CM850(CM2850), QSL9 CM2250, QSL9 CM2250 L115, QSL9 CM2350 L102, QSL9 CM2350 L107, QSL9 CM2350 L118, QSL9 CM2350 L122, QSL9 CM554, QSL9 CM850(CM2850), QSL9 G CM558, QSL9 M CM2250 L106, QSL9.3 CM2880 L113			



ph964gq

[SMALL](#) | [MEDIUM](#) | [LARGE](#)

Cart	Ref No	Part Number	Part Description	Required	Remarks

View My Cart

		PH9275	Engine Control Module		MR - MODULE, ENGINE CONTROL... (More)
					Comment: P1I
					ECM Version: CM850
					Module Location (mm): 6.8
					Ambient Air Pressure Sensor
					Included: No
					Intake Manifold Temperature
					Sensor Manufacturer: High
					Stat
					Required for Smartcraft 2.X
<input type="checkbox"/>	1	2872277	Position Sensor	1	Cam Or Crank.
<input type="checkbox"/>	2	4928599	O-Ring Seal	1	
<input type="checkbox"/>	3	2872279	Position Sensor	1	Cam Or Crank.
<input type="checkbox"/>	2	4928599	O-Ring Seal	1	
<input type="checkbox"/>	4	3609867	Dataplate	1	
<input type="checkbox"/>	5	3682941	Studded Hexagon Cap Screw	1	
<input type="checkbox"/>	6	3900625	Hexagon Flange Head Cap Screw	1	M6 X 1.00 X 10.
<input type="checkbox"/>	7	3900630	Hexagon Flange Head Cap Screw	1	M8 X 1.25 X 20
<input type="checkbox"/>	8	3901445	Hexagon Flange Head Cap Screw	3	M8 x 1.25 x 45
<input type="checkbox"/>	9	3913638	Hexagon Flange Head Cap Screw	1	M6 X 1.00 X 16.
<input type="checkbox"/>	10	3944816	Studded Flange Cap Screw	5	M8 X 1.25 X 50
<input type="checkbox"/>	11	3955219	Vibration Isolator	4	
<input type="checkbox"/>	12	3955220	Vibration Isolator	4	
<input type="checkbox"/>	13	3977357	Ground Wire	1	
<input type="checkbox"/>		4088832	Temperature Sensor	1	Coolant or Intake Manifold
	14	4088833	Temperature Sensor	1	Coolant or Intake Manifold
	15	4921574	O-Ring Seal	1	

<input type="checkbox"/>	16	5265355	Electrical Connector	1	
<input type="checkbox"/>	17	4921517	Pressure Sensor	1	Oil.
<input type="checkbox"/>	18	4010519	O-Ring Seal	1	
<input type="checkbox"/>	19	4921797	Electronic Control Module	1	
<input type="checkbox"/>	20	4928593	Pressure Sensor	1	Intake Manifold
<input type="checkbox"/>	18	4010519	O-Ring Seal	1	
<input type="checkbox"/>	21	4933570	Electronic Control Cooler	1	
<input type="checkbox"/>	22	4954905	Temperature Sensor	1	Coolant Or Fuel Or Oil.
<input type="checkbox"/>	18	4010519	O-Ring Seal	1	

© 2019 Cummins Inc., Box 3005, Columbus, IN 47202-3005 U.S.A.
Terms of Use and Disclaimers | Recommended System Requirements
Need Assistance? Please click on the Contact Us button in the top right corner of any page.